



# Catálogo

## Filtros de aceite



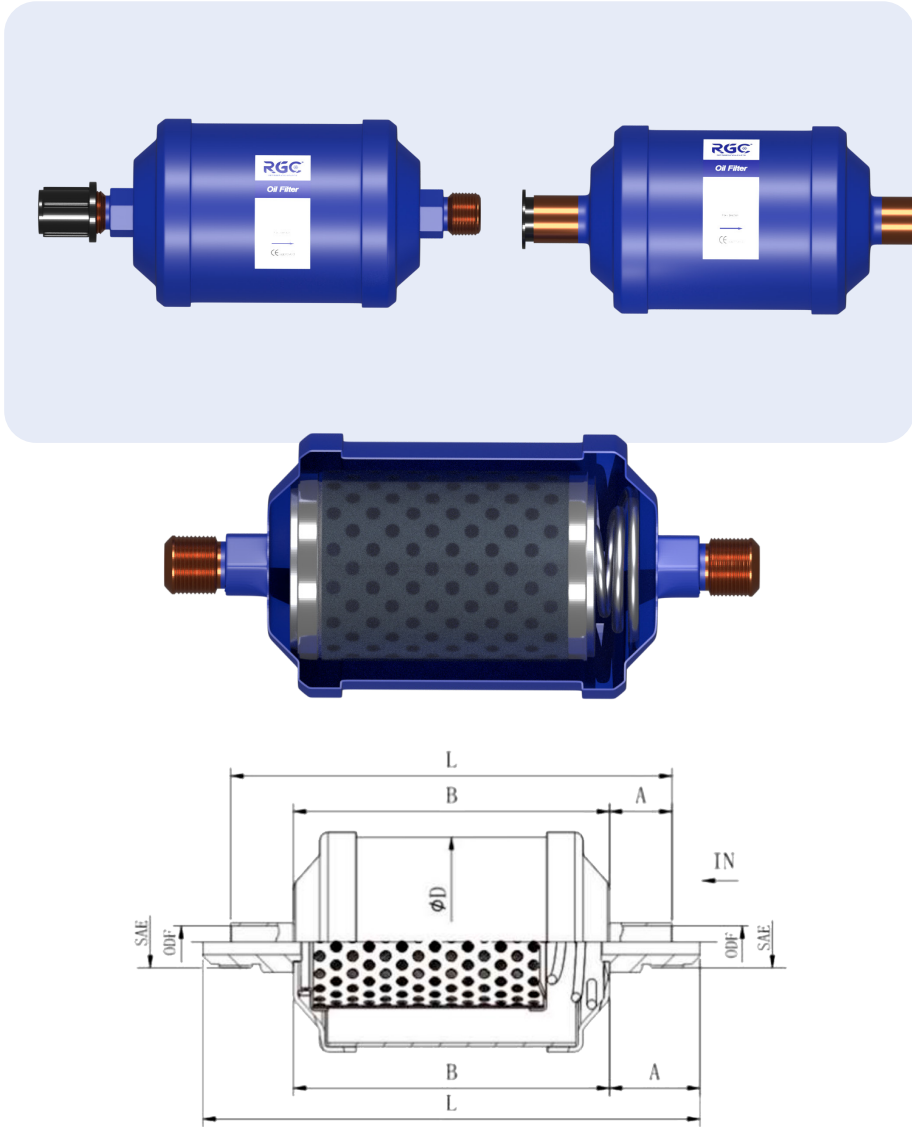
[www.rgcrefrigeration.com](http://www.rgcrefrigeration.com)



¡Síguenos en nuestras RRSS @rgcrefrigeracion!

# FILTROS DE ACEITE

Los filtros de aceite RGC poseen una excelente capacidad de filtrado que aseguran un aceite limpio de retorno al compresor.



## Especificaciones Técnicas

Aceites compatibles



POE, Mineral y Alquibenceno

Filtración



3 micras

Conexión



SAE, ODF.



Modelo	Conexión		Capacidad nominal				Dimensiones			
	ODF	SAE	R134a	R22	R404A	R502	A	B	D	L
	pulg	pulg	kW	kW	kW	kW	mm	mm	mm	mm
OF082		1/4	21.8	23.7	15.7	15.4	22.5	96	63.5	141
OF082S	1/4		27.4	29.8	19.8	19.3	18.5			133
OF083		3/8	21.8	23.7	15.7	15.4	27.5			151
OF083S	3/8		27.4	29.8	19.8	19.3	19			134
OF084		1/2	21.8	23.7	15.7	15.4	30			156
OF084S	1/2		27.4	29.8	19.8	19.3	20			136
OF085		5/8	21.8	23.7	15.7	15.4	35			166
OF085S	5/8		27.4	29.8	19.8	19.3	24			144

# VERIFICATION OF CONFORMITY

Certificate No.: B-S2406C2388  
Client ID: CC3672



**Holder**.....: RGC REFRIGERATION PARTS C.A. CORP

**Address**.....: 2200 NW 72ND AVE #523223MIAMI, FL.33152

**Manufacturer**.....: Same As Holder

**Trade Mark**.....: 

**Product**.....: Filter

**Model No**.....: FDF-287T,FDF-289T,FDF-2811T,FDF-2813T,OF-082S,OF-083S,  
FDEK-032,FDEK-032S,FDEK-033,FEDK-033S,FDEK-052,  
FDEK-052S,FDEK-053,FDEK-053S,FDEK-083,FDEK-083S,  
FDEK-084,FDEK-084S,FDEK-085,FDEK-085S,FDEK-163,  
FDEK-163S,FDEK-164,FDEK-164S,FDEK-165,FDEK-165S,  
FDEK-303,FDEK-303S,FDEK-304,FDEK-304S,FDEK-305,  
FDEK-305S,FDEK-415,FDEK-415S,FDEK-416S,FDEK-417S,  
FDEK-419S

**Verification to**.....: European Directive(s): Pressure Equipment Directive 2014/68/EU  
EN 13445-1:2021

The test results apply only to the particular sample tested and to the specific tests carried out. Technical Report and documentation are at the Holder's disposal.

This certificate applies specifically to the sample investigated in our test reference number only. The CE markings as shown below can be affixed on the product after preparation of necessary technical documentation. Other relevant Directives have to be observed.

**Date of issue:** 2024-06-25

**Expiry date:** 2027-06-25



Certification Manager



**Beide (Shenzhen) Product Service Limited**

Address: 6F, Bldg E, Hourui 3rd Ind Zone, Xixiang, Bao'an Dist, Shenzhen, China  
E-mail: admin@szbeide.com Phone: +86 0755 27454498 www.szbeide.com

